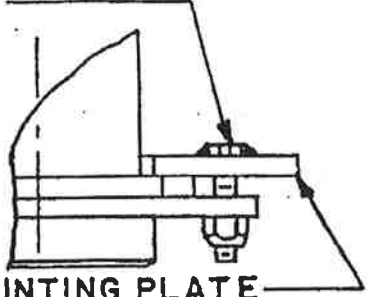
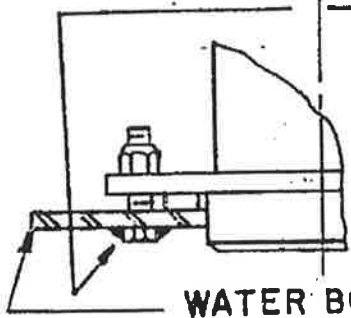


KOPEC
QS 128
199

- 2-1/2" X 20 NF X 1 1/2" 304
SS MACH. BOLTS- WELD
HEAD TO BOX- BY FAB.

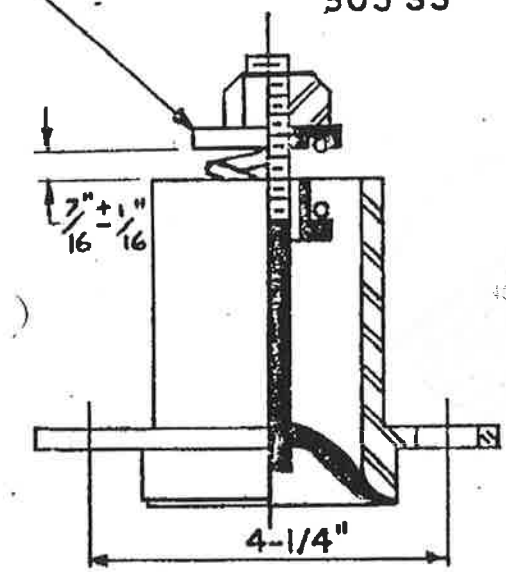


WATER BOX OR SPRAY VALVE MOUNTING PLATE

VALVE INSTALLED ABOVE
WATER BOX

VALVE INSTALLED BELOW
WATER BOX

SPRING RETAINER
303 SS



SUPPLIED WITH EACH VALVE
ONE SOLID TEFLON GASKET.
TWO-HEX NUTS-1/2" X 20 NF SILVER
PLATED 303SS ELASTIC STOP NUT.

NOTE: LOCATE BOLTS FOR
MOUNTING SPRAY VALVES
PER TANK DETAIL OR INTERNAL
WATER BOX DETAIL DWG.

MATERIAL OF BODY, STEM AND PLUG- 316 SS

SPRAY VALVE INSTALLATION & ASSEMBLY			
CHICAGO HEATER COMPANY			
SCALE NONE	DRAWN JB	A-2500	B
DATE 4-20-82	CHECKED AGF		

B-REVISED 8-1-89 BB