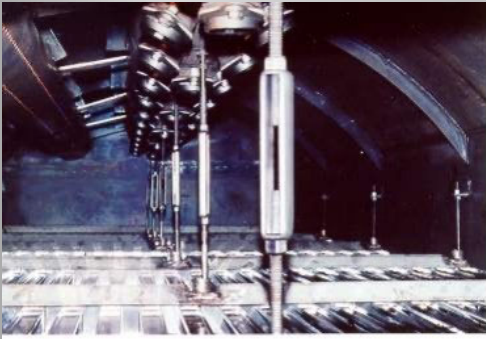
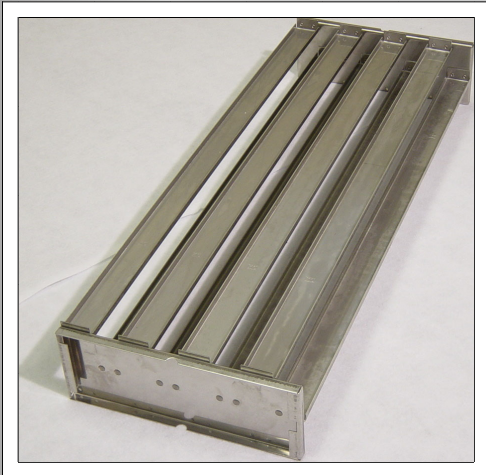


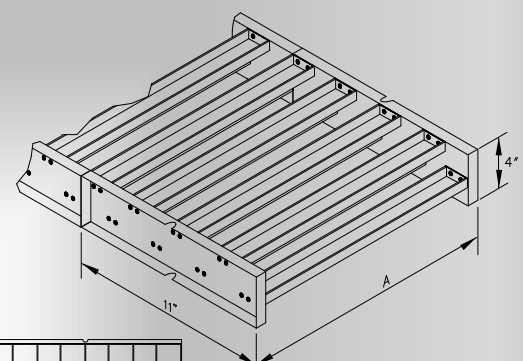


Kansas City Deaerator Trays


RIVETED—KCD T37, 30, 24



DEAERATOR TRAY ASSEMBLY



NOTE:			
A	PART NO.	MATERIAL	THICKNESS
37"	T37	430S.S.	16GA
30"	T30	430S.S.	16GA
24"	T24	430S.S.	16GA
18"	T18	430S.S.	16GA

<table border="1" style="width: 100%; border-collapse: collapse;"> <tr> <td style="width: 15%;">DR</td> <td>12/13/21</td> <td>REVISED ADDRESS</td> </tr> <tr> <td>DES</td> <td>12/13/20</td> <td>ADDED 18" TRAY, REVISED ADDRESS</td> </tr> <tr> <td>ML</td> <td>11/15/19</td> <td>REVISED TITLE BLOCK</td> </tr> <tr> <td>SH</td> <td>11/15/19</td> <td>CHG. PART NUMBERS</td> </tr> <tr> <td>BY</td> <td>DATE</td> <td>DESCRIPTION</td> </tr> <tr> <td colspan="3" style="text-align: center;">REVISIONS</td> </tr> </table>	DR	12/13/21	REVISED ADDRESS	DES	12/13/20	ADDED 18" TRAY, REVISED ADDRESS	ML	11/15/19	REVISED TITLE BLOCK	SH	11/15/19	CHG. PART NUMBERS	BY	DATE	DESCRIPTION	REVISIONS			<p>DEAERATOR TRAY ASSEMBLY</p>  <p> KANSAS CITY DEAERATOR CO. 7207 E. 193RD STREET SUITE 100 SUITE 100 (913) 338-2111 FAX (913) 338-2144 </p>
DR	12/13/21	REVISED ADDRESS																	
DES	12/13/20	ADDED 18" TRAY, REVISED ADDRESS																	
ML	11/15/19	REVISED TITLE BLOCK																	
SH	11/15/19	CHG. PART NUMBERS																	
BY	DATE	DESCRIPTION																	
REVISIONS																			
DWG. NO. KCH102 JOB NO. STD DRAWN SH 10/15 CAD REF. KCH102 CHK W.D. NO. SCALE N.T.S. SHEET OF																			

Replaces: Chicago T37, T30, or T24

**Sterling
Pemco**

Material: 430 SS

Weight: 12.5 lbs.

Size: 11" X 4" X A (18"-37")

Phone: 913-338-2111 | Cell: 913-384-2500

Email: info@deaerator.com

