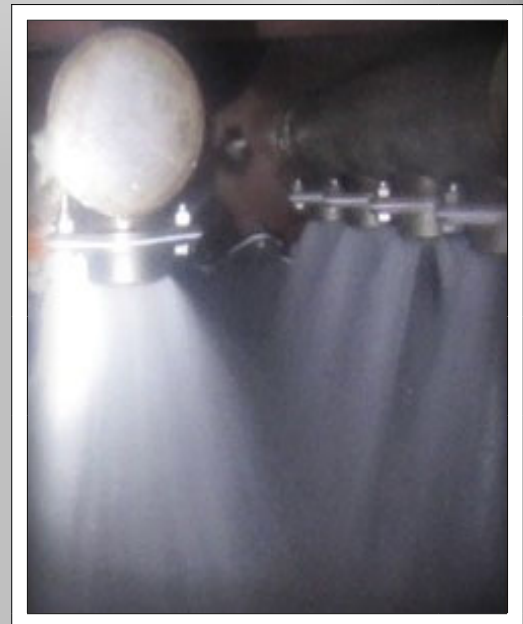
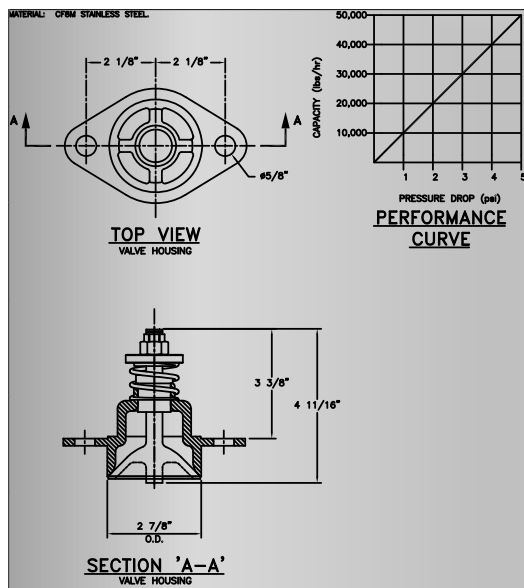




Kansas City Deaerator Spray Valves H101002—S121489



Replaces: Chicago A101 or 28.25.200

Pemco #1976

Sterling PN400

Material: 316 SS Per HEI

Flow: 0 to 50,000 #/Hr

Pressure Drop: 0-5 PSIG

Weight: 2 lbs.

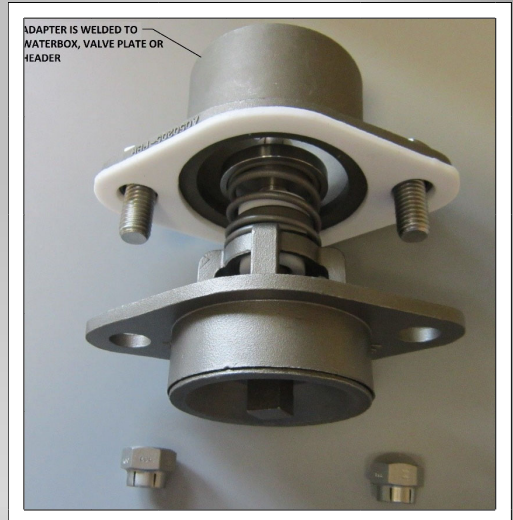
Size: 3" X 3" X 3"

Optional adapter for weld to header

Phone: 913-338-2111

Cell: 913-384-2500

Email: Info@deaerator.com



SPRAY HS - Horizontal Spray



TRAY VT - Vertical Tray



TRAY TC - Tank Car



TRAY HH - Horizontal



TRAY DS - Double Shell



SPRAY VS - Vertical Spray