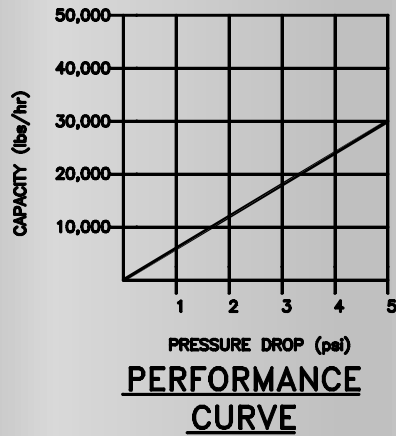




1 1/2"

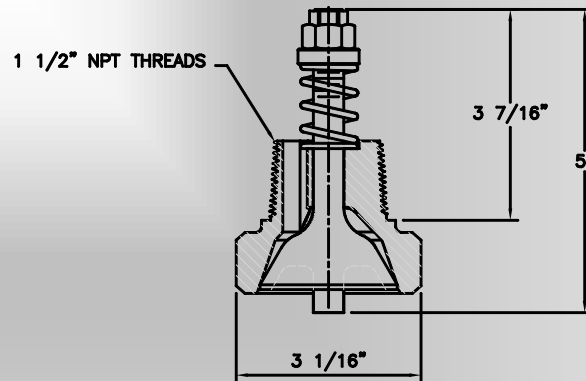
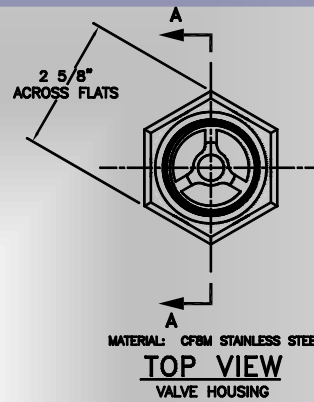


2"



WORKING PRESSURE MAX.: 15 BARG  
TEMPERATURE MAX.: 250°C

## Kansas City Deaerator Spray Valves WORTHINGTON STYLE



SECTION 'A-A'  
VALVE HOUSING

**Replaces: Worthington**

**Material: 300 SS**

**Flow: 30,000 #/hr.**

**Size: 1 1/2" threaded**

**2" threaded adapter**

Phone: 913-338-2111 | Cell: 913-384-2500

Email: [info@deaerator.com](mailto:info@deaerator.com)



SPRAY HS - Horizontal Spray



TRAY VT - Vertical Tray



TRAY TC - Tank Car



TRAY HH - Horizontal



TRAY DS - Double Shell



SPRAY VS - Vertical Spray