



KCD Replacement Tray

- End supports provide stiffness
- Durable
- Water prevented from flowing off tray
- Tray remains in shape

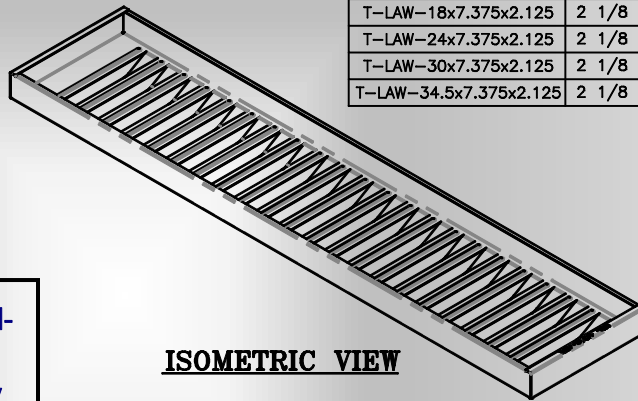
Typical Aftermarket Tray

- No end plate or support
- Susceptible to bending/torsion
- Water flows off end of tray
- Tray disfigures



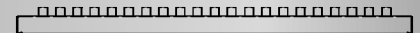
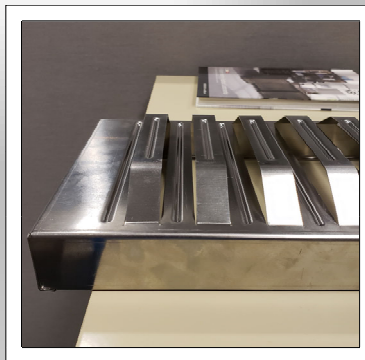
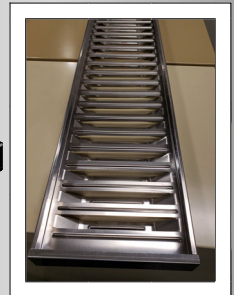
Note lack of end-plate on typical aftermarket tray

Kansas City Deaerator Trays
LA WATER STAMPED



ISOMETRIC VIEW

DATA TABLE					
PART #	'H' (IN.)	'W' (IN.)	'L' (IN.)	WEIGHT (LBS)	
T-LAW-18x7.375x2.125	2 1/8	7 3/8	18	2.22	
T-LAW-24x7.375x2.125	2 1/8	7 3/8	24	2.82	
T-LAW-30x7.375x2.125	2 1/8	7 3/8	30	3.45	
T-LAW-34.5x7.375x2.125	2 1/8	7 3/8	34 1/2	3.91	



Stamping Detail

Replaces: LA Water
Material: 22 gauge SS
Weight: 2.5 lbs.

Sizing: W 7 3/8"
H 2 1/8"
L 18" 24" 30" 34.5"

Phone: 913-338-2111 | Cell: 913-384-2500
Email: info@deaerator.com

